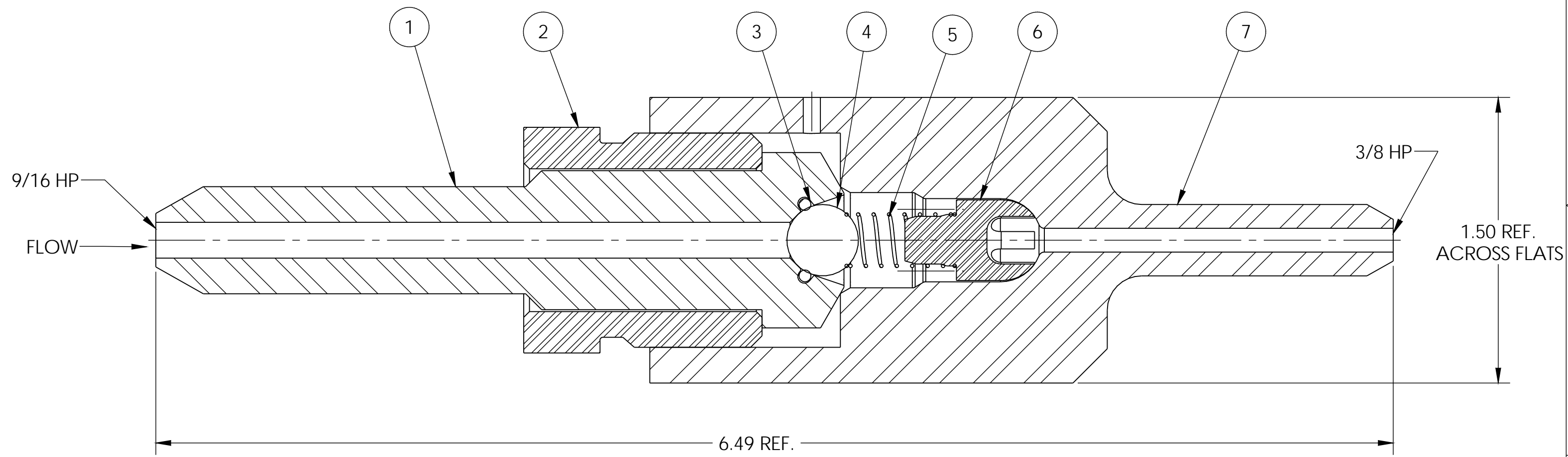


ITEM NO.	QTY.	INV. NO.	DESCRIPTION	MATERIAL	DRAWING


# High Pressure Outlet Check Valve

Part No.: 802.00004PH



**NOTES:**

1. LIGHTLY LUBRICATE ALL SCREW THREADS AND METAL TO METAL CONTACT SURFACES WITH FOOD GRADE "NEVER SEEZ" PTFE LUBRICANT.
2. 130 FT-LB TORQUE REQUIRED FOR TIGHT SEAL.
3. STAMP "MAWP 40KSI" AND FLOW DIRECTIONAL ARROW ON FLAT OF THE BODY.
